



For **NG06 (D03)** Design C, SAE Ports  
P/N w/ Buna Seals: **EDKT-NG06-01-BA-C**

ITEM NO.	QTY.	PART NUMBER	DESCRIPTION
1	4	BOLT-SHC-M08x35-C-BA-129	M8 x 35 Long Socket Head Cap Screw
2	4	WASR-HCL-M08-2-BA	High Collar Lock Washer, M8
3	2	SEAL-ORG-BA-A-215	O-Ring, Buna-N, 70 Duro, -215
4	1	PIN-DP-M05X14	M5 x 14mm Long Dowl Pin

For **NG10 (D05)** Design A  
P/N w/ Buna Seals: **EDKT-NG10-01-BA-A**

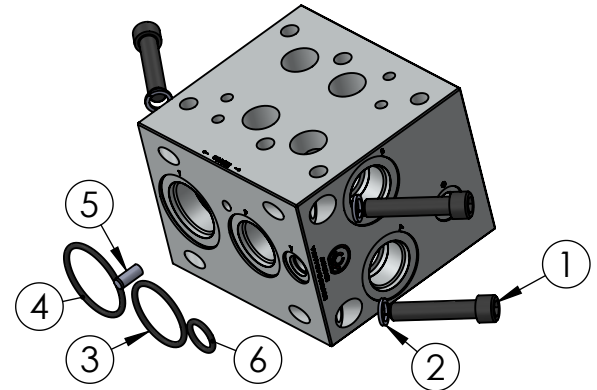
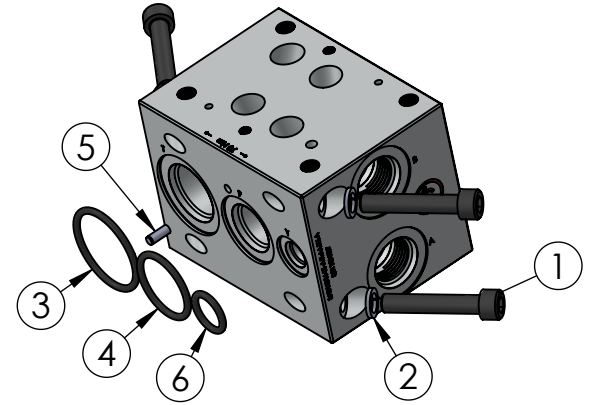
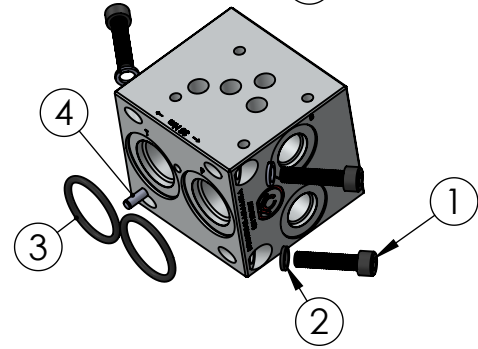
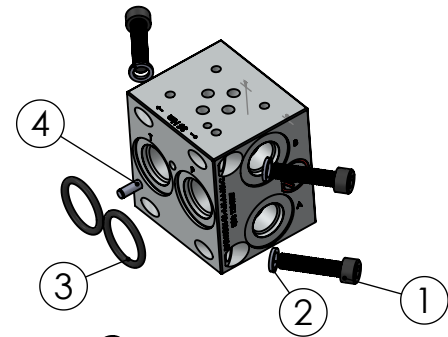
ITEM NO.	QTY.	PART NUMBER	DESCRIPTION
1	4	BOLT-SHC-M08x35-C-BA-129	M8 x 35 Long Socket Head Cap Screw
2	4	WASR-HCL-M08-2-BA	High Collar Lock Washer, M8
3	2	SEAL-ORG-BA-A-220	O-Ring, Buna-N, 70 Duro, -220
4	1	PIN-DP-M05X14	M5 x 14mm Long Dowl Pin

For **NG16 (D07)** Design A  
P/N w/ Buna Seals: **EDKT-NG16-01-BA-A**

BOM Table			
ITEM NO.	QTY.	PART NUMBER	DESCRIPTION
1	4	BOLT-SHC-M10x55-C-BA-129	M10 x 55 Long Socket Head Cap Screw
2	4	WASH-HCL-M10-BA	High Collar Lock Washer, M10
3	1	SEAL-ORG-BA-A-224	O-Ring, Buna-N, 70 Duro, -224
4	1	SEAL-ORG-BA-A-220	O-Ring, Buna-N, 70 Duro, -220
5	1	SEAL-ORG-BA-A-210	O-Ring, Buna-N, 70 Duro, -210
6	1	PIN-DP-M05X14	M5 x 14mm Long Dowl Pin

For **NG25 (D08)** Design A  
P/N w/ Buna Seals: **EDKT-NG25-01-BA-A**

BOM Table			
ITEM NO.	QTY.	PART NUMBER	DESCRIPTION
1	4	BOLT-SHC-M12x60-C-BA-129	M12 x 60 Long Socket Head Cap Screw
2	4	WASR-HCL-M12-BA	High Collar Lock Washer, M12
3	1	SEAL-ORG-BA-A-224	O-Ring, Buna-N, 70 Duro, -224
4	1	SEAL-ORG-BA-A-226	O-Ring, Buna-N, 70 Duro, -226
5	1	PIN-DP-M08x20	M8 x 20mm Long Dowl Pin
6	1	SEAL-ORG-BA-A-210	O-Ring, Buna-N, 70 Duro, -210



EDKT: BAR End Bolt Kits

EDKT: BAR End Bolt Kits

EDKT-
•Product Family- BAR EnD mounting Kit

****_
•BAR Size •NG06 (D03) •NG10 (D05) •NG16 (D07) •NG25 (D08)

01-
•Port Type- 01: SAE Type w/ Standard Bolts

**_
•Seal Material •BA: Buna •VA: Viton

A
•Design Variant A: Design A

Subject to Change: CTLG-01-001A