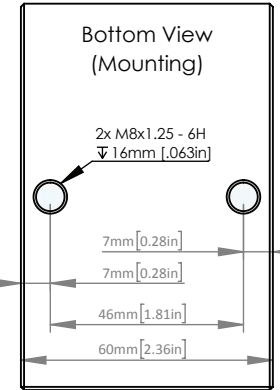
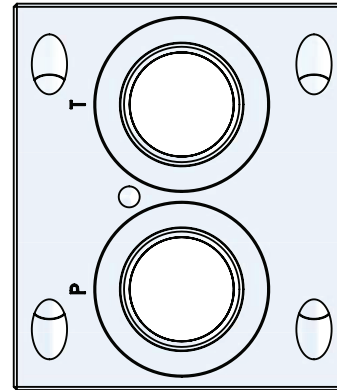
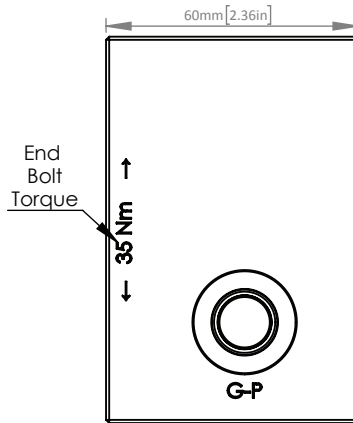
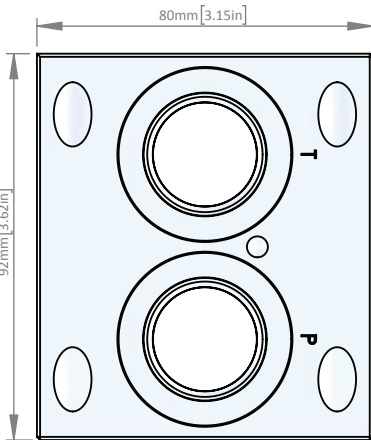
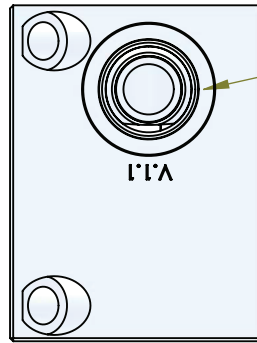
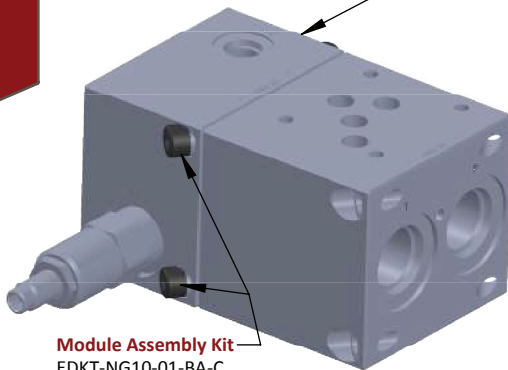
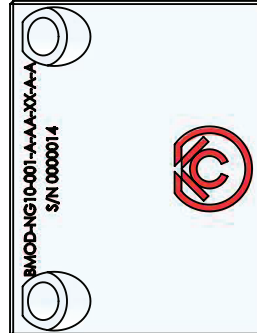




C10-2 Cavity  
For Relief Valve  
Flow 1 to 2

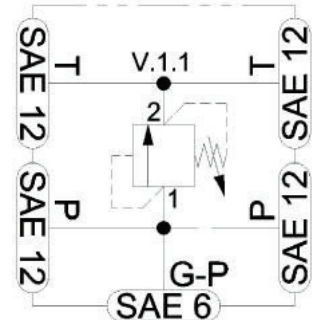


Module Compatible  
with NG10 (A Desing)  
BAR Manifold Series



Module Assembly Kit  
EDKT-NG10-01-BA-C  
See Bolt Kit Section  
for Details

Consult Factory  
for All Other  
Dimensional Data



BMOD-	NG10-	001-	A-	**-	XX-	A
<ul style="list-style-type: none"> <li>Product Family - Bar Manifold Module</li> </ul>	<ul style="list-style-type: none"> <li>Interface - NG10 (D05) 4401-05-04-0-05</li> </ul>	<ul style="list-style-type: none"> <li>Option • 001 C10-2 Relief</li> </ul>	<ul style="list-style-type: none"> <li>Port Type - A: SAE • To join SAE to SAE BAR manifolds</li> </ul>	<ul style="list-style-type: none"> <li>Material • AA: Aluminum • 6061T6 • 210 BAR • DA: Ductile Iron • 654512 • 350 BAR</li> </ul>	<ul style="list-style-type: none"> <li>Surface Finish XX: Bare Metal • Special Surface Finish Options Available Upon Special Request</li> </ul>	<ul style="list-style-type: none"> <li>Design Variant A: Design A</li> </ul>

Subject to Change: CTLG-01-001A