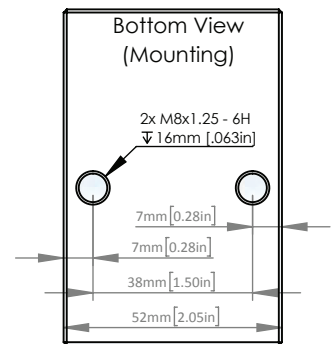
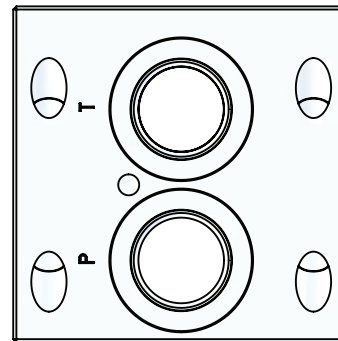
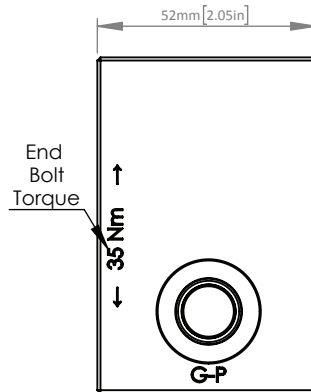
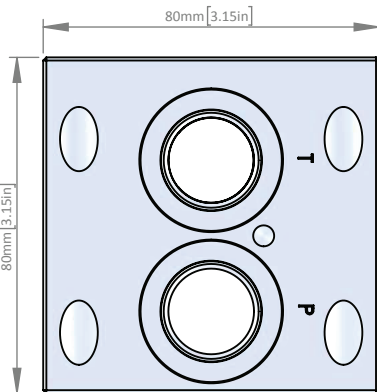
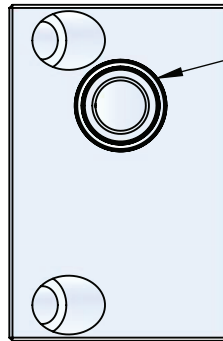
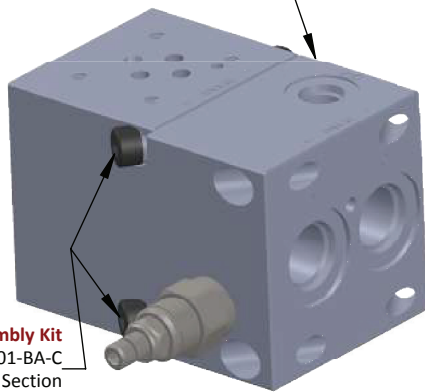
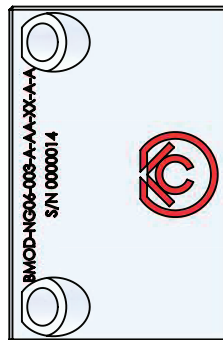




T-10A Cavity
For Relief Valve
Flow 1 to 2

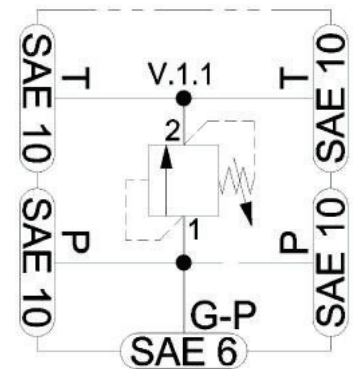


Module Compatible
with NG03 (C Desing)
BAR Manifold Series



Module Assembly Kit
EDKT-NG06-01-BA-C
See Bolt Kit Section
for Details

Consult Factory
for All Other
Dimensional Data



<p>BMOD-</p> <ul style="list-style-type: none"> Product Family- Bar Manifold MODULE 	<p>NG06-</p> <ul style="list-style-type: none"> Interface - NG06 (D03) 4401-03-02-0-05 	<p>003-</p> <ul style="list-style-type: none"> Option 003 T-10A Relief 	<p>A-</p> <ul style="list-style-type: none"> Port Type A: SAE To join SAE to SAE BAR manifolds 	<p>**-</p> <ul style="list-style-type: none"> Material AA: Aluminum • 6061T6 • 210 BAR DA: Ductile Iron • 654512 • 350 BAR 	<p>XX-</p> <ul style="list-style-type: none"> Surface Finish XX: Bare Metal Special Surface Finish Options Available Upon Special Request 	<p>A</p> <ul style="list-style-type: none"> Design Variant A: Design A
--	---	---	--	--	---	---

Subject to Change: CTLG-01-001A

BMOD: BAR Module

BMOD: BAR Module