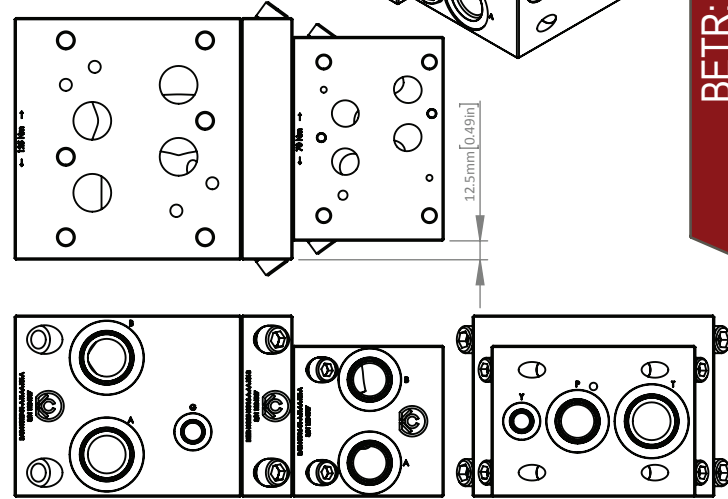
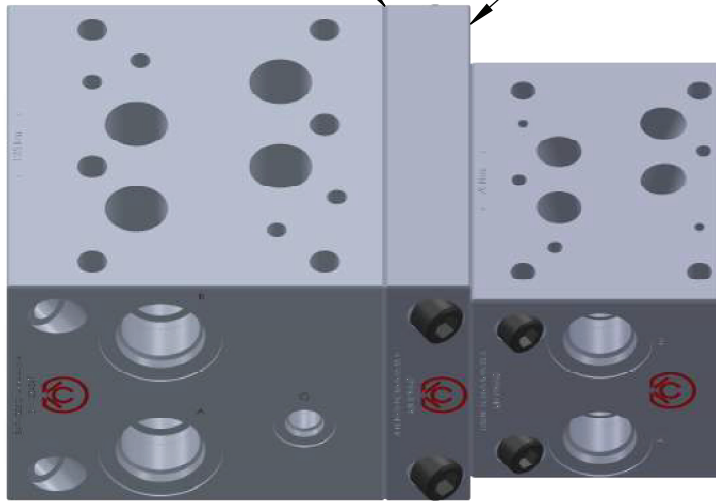
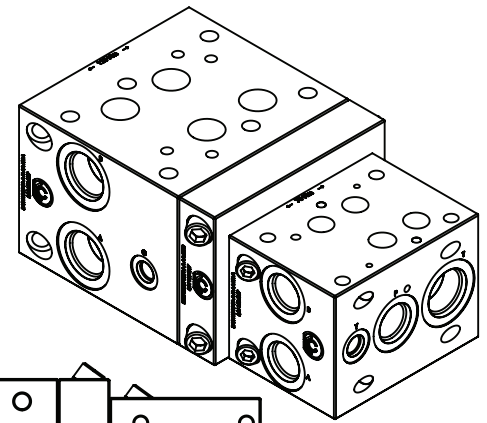


Consult Factory for All Other Dimensional Data

From: NG25 (D08) BAR

To: NG16 (D07) BAR



BETR: BAR End Adapter

BETR: BAR End Adapter

<b>BETR-</b>	<b>NG25-</b>	<b>NG16-</b>	<b>A-</b>	<b>**</b>	<b>XX-</b>	<b>A</b>
•Product Family- <b>BAR End AdapTeR</b>	•"Tough Bolt Side" End Interface -  • <b>NG25 (D08)</b> 4401-08-08-05	•"Tapped Bolt Side" End Interface -  • <b>NG16 (D07)</b> 4401-07-07-05	•Port Type- <b>A:</b> SAE  •Type for SAE type modular manifolds	•Material • <b>AA:</b> Aluminum •6061T6 •210 BAR  • <b>DA:</b> Ductile Iron •654512 •350 BAR	•Surface Finish <b>XX:</b> Bare Metal  •Special Surface Finish Options Available Upon Special Request	•Design Variant  <b>A:</b> Design A

Subject to Change: CTLG-01-001A