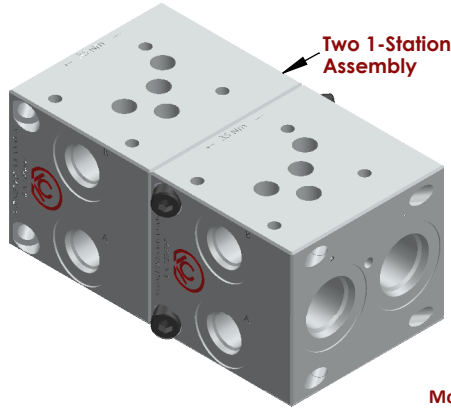
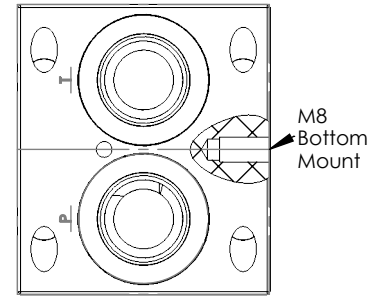
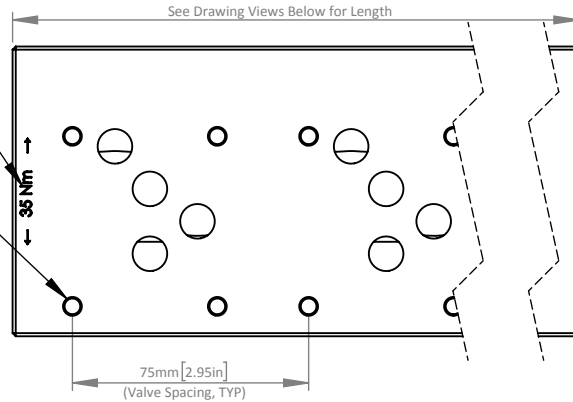
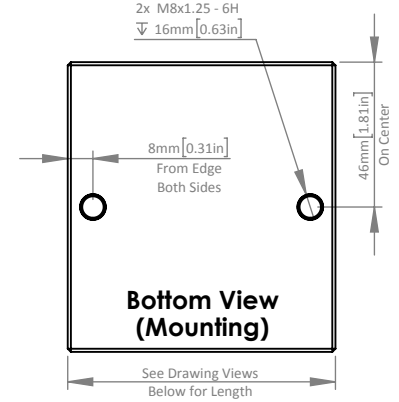
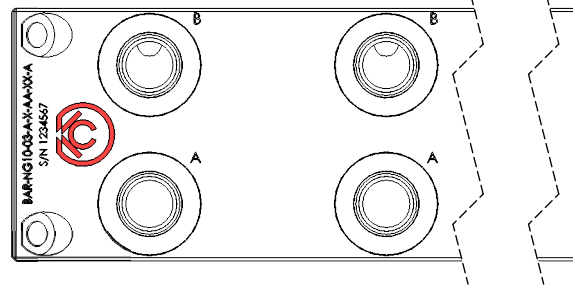


End Bolt Torque
M6 Valve Mounts

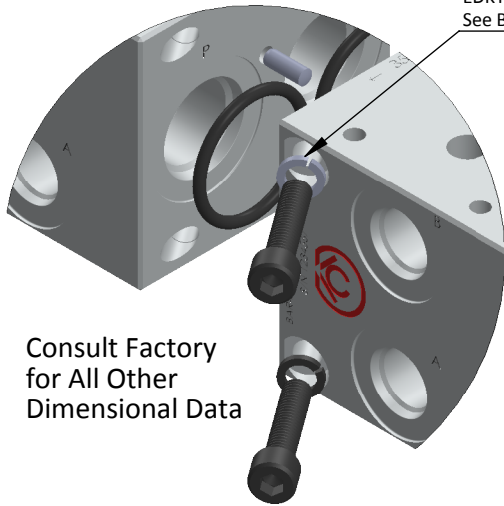


Two 1-Station Assembly

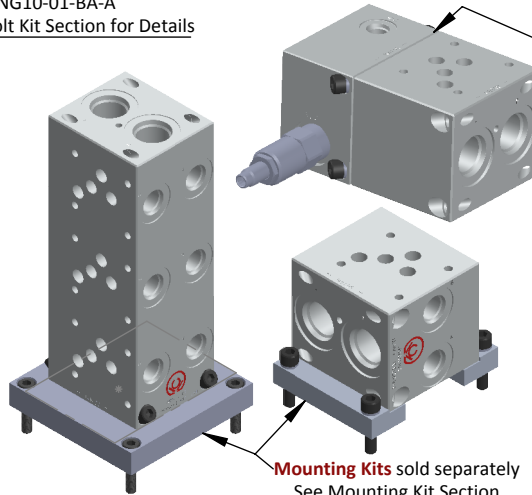


Module Assembly Kit
EDKT-NG10-01-BA-A
See Bolt Kit Section for Details

Relief, Unloading, Wide Spacing and Other Options
Modules Available See Module Section for Details



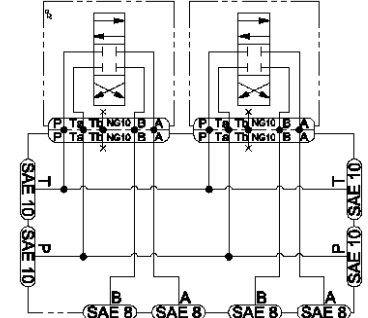
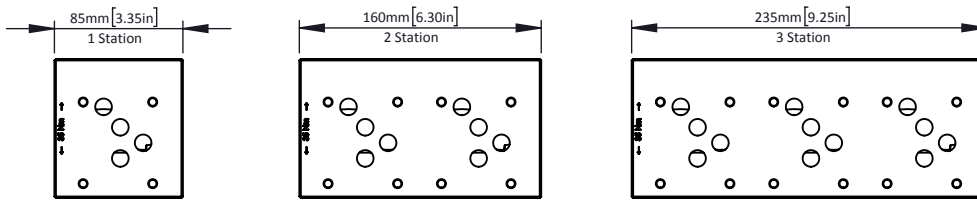
Consult Factory for All Other Dimensional Data



Mounting Kits sold separately
See Mounting Kit Section

PATENT PENDING

ISOLATIONS:
Zero-Leak 22S-S12 Plugs can be installed between modules in the P and T to create ISOLATIONS as required.



BAR-	NG10-	**	A-	X-	**	XX-	A
• Product Family- BAR Manifold	• Interface - NG10 (D05) 4401-05-04-0-05	• Number of Stations- 01 - 1 Station 02 - 2 Station 03 - 3 Station	• Port Type- A : SAE • P&T : SAE 12 • A&B: SAE 8	• Cavity - X : None • Available Upon Special Request	• Material AA : Aluminum • 6061T6 DA : Ductile Iron • 654512 • 350 BAR	• Surface Finish XX : Bare Metal • Special Surface Finish Options Available Upon Special Request	• Design Variant A : Design A

Subject to Change: CTLG-01-001A

BAR: Modular Bar Manifold

BAR: Modular Bar Manifold