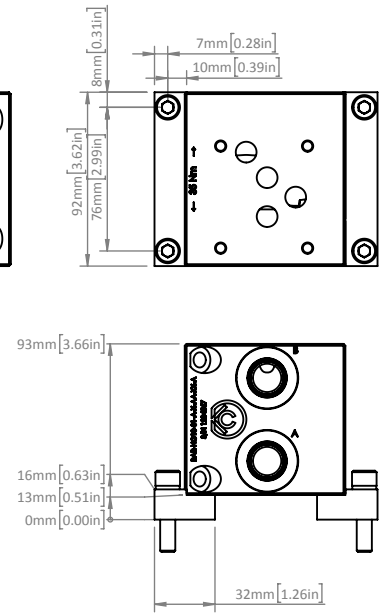


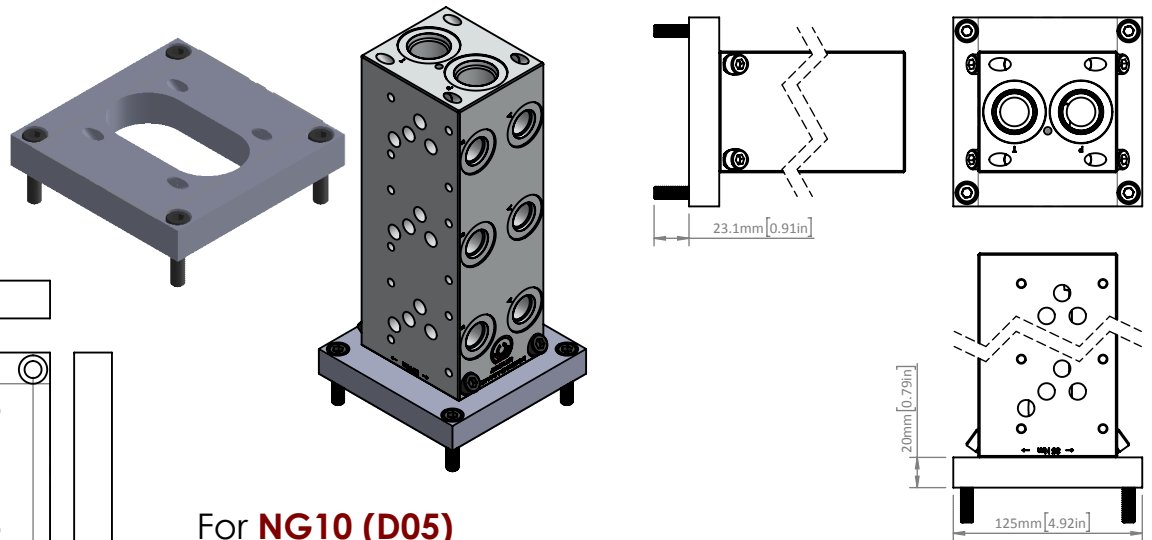
For **NG10 (D05)**
P/N: **MTKT-NG10-001-K-01-A**

ITEM NO.	QTY.	PART NUMBER	DESCRIPTION
1	2	MTKT-NG10-001-B-xx-A	NG10 Mounting Bracket, Foot Mount
2	4	BOLT-SHC-M08x35-C-BA-12 9	M08 x 35 Long Socket Head Cap Screw
3	6	WASR-HCL-M08-2-BA	High Collar Lock Washer, M8
4	2	BOLT-SHC-M08x20-C-BA-129	M08 x 20 Long Socket Head Cap Screw



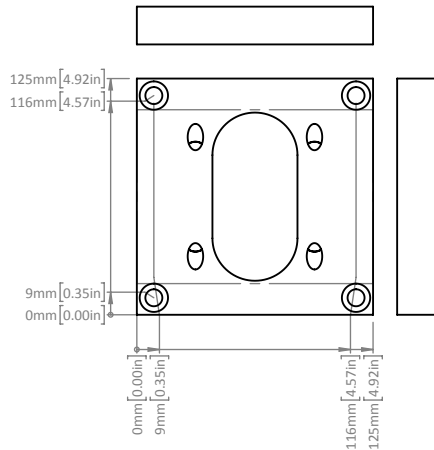
MTKT: BAR Mounting Kit

MTKT: BAR Mounting Kit



For **NG10 (D05)**
P/N: **MTKT-NG10-002-K-01-A**

ITEM NO.	QTY.	PART NUMBER	DESCRIPTION
1	1	BAR-NG10-002-A-AA-XX-A-B	NG10 Mounting Bracket, Base Mount
2	4	WASR-HCL-M08-2-BA	High Collar Lock Washer, M8
3	4	BOLT-SHC-M08x35-C-BA-129	M8 x 35 Long Socket Head Cap Screw



MTKT-	NG10-	***-	K-	01-	A
<ul style="list-style-type: none"> Product Family- <p>BAR Mounting Kit</p>	<ul style="list-style-type: none"> BAR Size NG10 (D05) 	<ul style="list-style-type: none"> Port Type- 001: Foot Mount 002: Base Mount 	<ul style="list-style-type: none"> Assembly Level <p>K: Complete Kit</p>	<ul style="list-style-type: none"> Hardware Modifier <p>01: Aluminum Bracket w/ Steel Bolts</p>	<ul style="list-style-type: none"> Design Variant <p>A: Design A</p>

Subject to Change: CTLG-01-001A