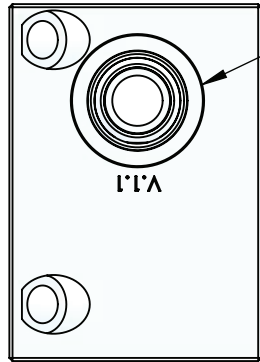
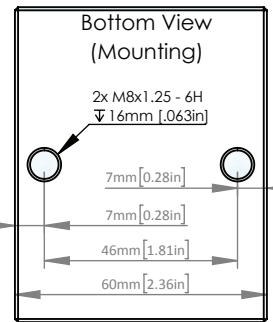
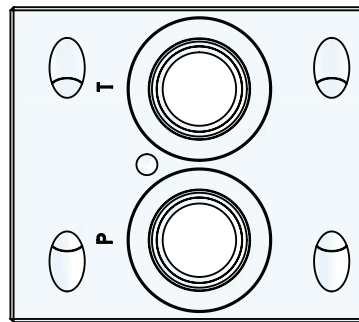
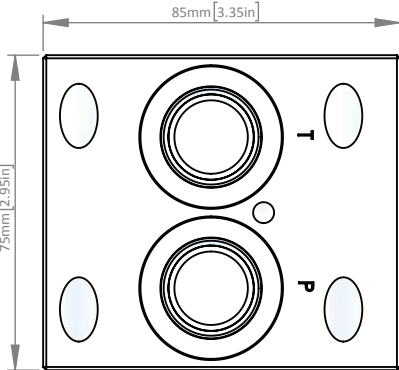
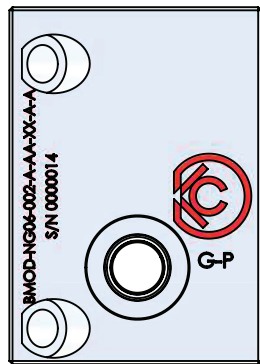
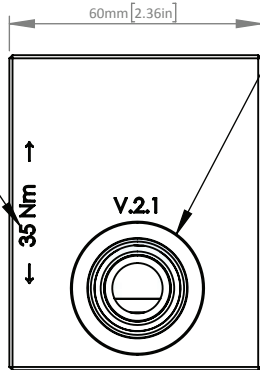




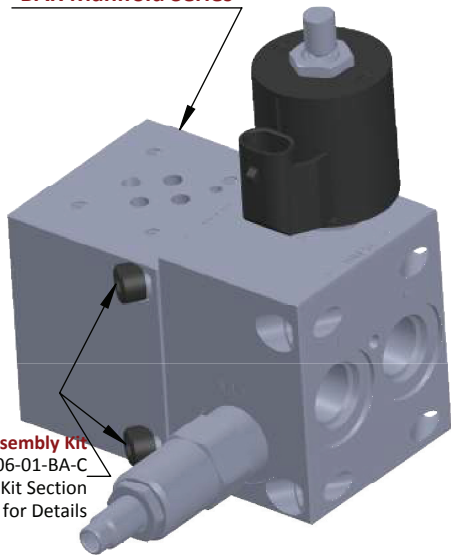
C10-2 Cavity  
For Relief Valve  
Flow 1 to 2



C10-2 Cavity  
For Unloading Valve  
Flow 1 to 2

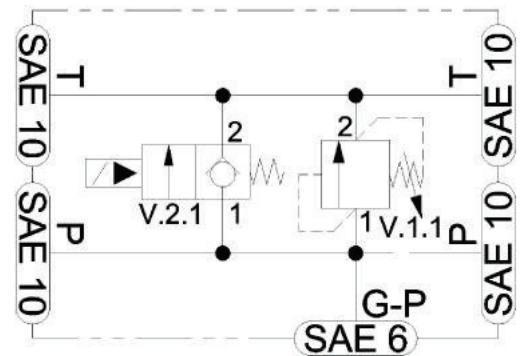


Module Compatible  
with NG03 (C Desing)  
BAR Manifold Series



Module Assembly Kit  
EDKT-NG06-01-BA-C  
See Bolt Kit Section  
for Details

Consult Factory  
for All Other  
Dimensional Data



<b>BMOD-</b>
• Product Family - <b>Bar Manifold MODULE</b>

<b>NG06-</b>
• Interface - <b>NG06 (D03)</b> 4401-03-02-0-05

<b>002-</b>
• Option <b>• 002</b> C10-2 Relief C10-2 Unloader

<b>A-</b>
• Port Type - <b>A:</b> SAE
• To join SAE to SAE BAR manifolds

<b>**-</b>
• Material • <b>AA:</b> Aluminum • 6061T6 • 210 BAR • <b>DA:</b> Ductile Iron • 654512 • 350 BAR

<b>XX-</b>
• Surface Finish <b>XX:</b> Bare Metal
• Special Surface Finish Options Available Upon Special Request

<b>A</b>
• Design Variant <b>A:</b> Design A