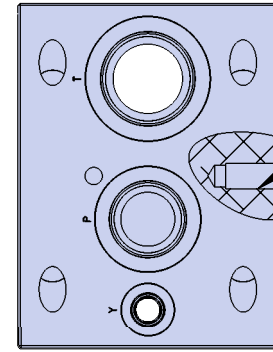
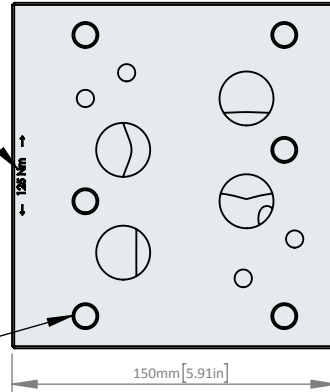


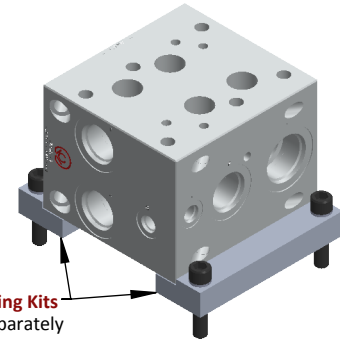
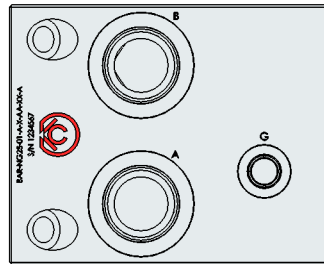
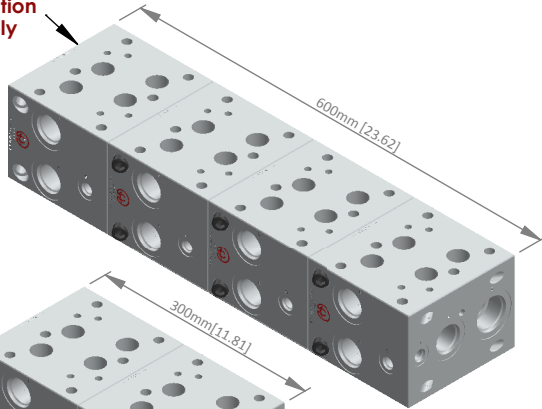
End Bolt Torque

6x M12 Valve Mounts



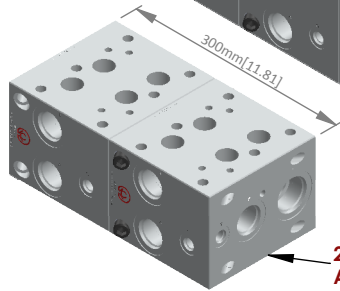
M12 Bottom Mount

4x 1-Station Assembly

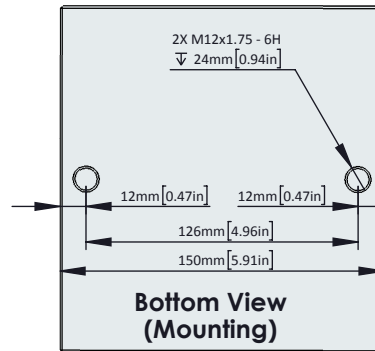
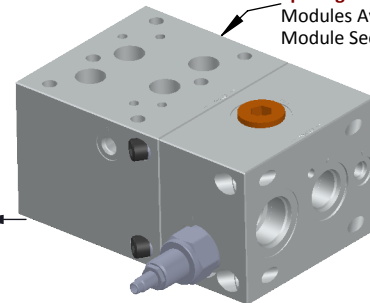


Mounting Kits sold separately See Mounting Kit Section

Relief, Unloading, Wide Spacing and Other Options Modules Available See Module Section for Details



2x 1-Station Assembly



Bottom View (Mounting)

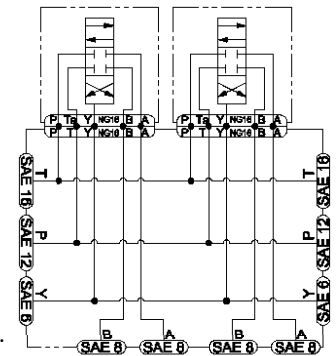


Module Assembly Kit EDKT-NG25-01-BA-A See Bolt Kit Section for Details

PATENT PENDING

Consult Factory for All Other Dimensional Data

ISOLATIONS: Zero-Leak 22S-S16 or 22S-S20 Plugs can be installed between modules in the P and T to create ISOLATIONS as required.



| BAR- | NG25- | **- | A- | X- | **- | XX- | A |
|--|---|--|--|--|--|--|--|
| • Product Family- BAR Manifold | • Interface - NG25 (D08) 4401-08-08-0-05 | • Number of Stations- • 01 - 1 Station | • Port Type- A: SAE • P, A & B: SAE 16 • T: SAE 20 • X & Y: SAE 6 | • Cavity - X: None • Available Upon Special Request | • Material • AA: Aluminum • 6061T6 • 210 BAR • DA: Ductile Iron • 654512 • 350 BAR | • Surface Finish XX: Bare Metal • Special Surface Finish Options Available Upon Special Request | • Design Variant A: Design A |

Subject to Change: CTLG-01-001A